

# SPS 8000 STIFF BOOM CRANE

IDEAL LIFTING SOLUTION FOR 2 AXLE TRUCKS



# TECHNICAL SPECIFICATIONS

## Product Description

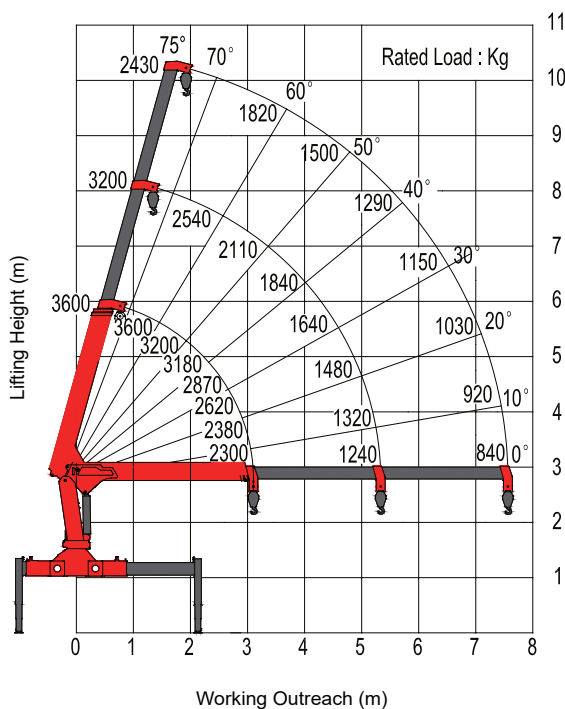
- SANY PALFINGER produces according to European Quality Standards to ensure reliability, performance and safety in the industry
- Extension system boom made of high tensile steel to optimize lifting height and working range
- The wide outrigger span ensures stability in all mounting situations
- High safety factor with greater reliability
- Piston pump option for reliability, efficiency, and extended lifetime
- Standard package includes
  - Emergency stop button
  - Working light
  - High pressure filter
  - Over-winding stop

## Technical Data

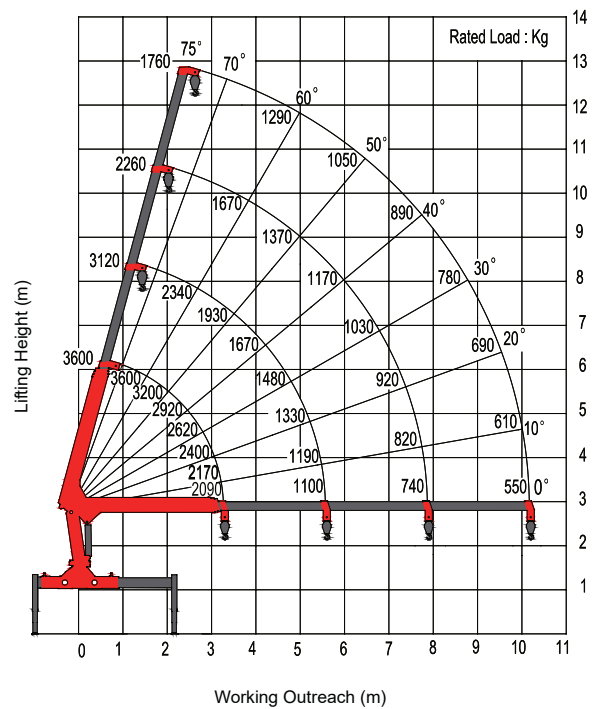
Basic Data	SPS 8000A	SPS 8000B
Rated Lifting Moment	8 mt	8 mt
Rated Lifting Capacity	3200 kg (2.5 m)	3200 kg (2.3m)
Max. outreach	7.8 m	10.2 m
Max. lines of the hook	4	4
Slewing angle	Continuous	Continuous
Boom raising angle	0 ~ 75°	0 ~ 75°
Max. lifting height (the measurement from the ground after the outriggers fully extended)	9.8 m	12.5 m
Length of the boom system (retracted)	3.4 m	3.5 m
Length of the boom system (fully extended)	8.0 m	10.4 m
Boom sections	3	4
Outrigger span (fully extended)	4400 (mm)	4400 (mm)
Recommended flow rate	30 - 40 L/min	30 - 40 L/min
Operating pressure	25 Mpa	25 Mpa
Recommended oil tank capacity	100 L	100 L
Crane moment (dynamic)	103.1 kNm 10.5mt	101.3 kNm 10.3mt
Torsional moment (dynamic)	8.4 kNm 0.9 mt	8.4 kNm 0.9 mt
Crane Weight	1200 kg (Floor Control)	1300 kg (Floor Control)

# LIFTING CHART

SPS 8000A



SPS 8000B

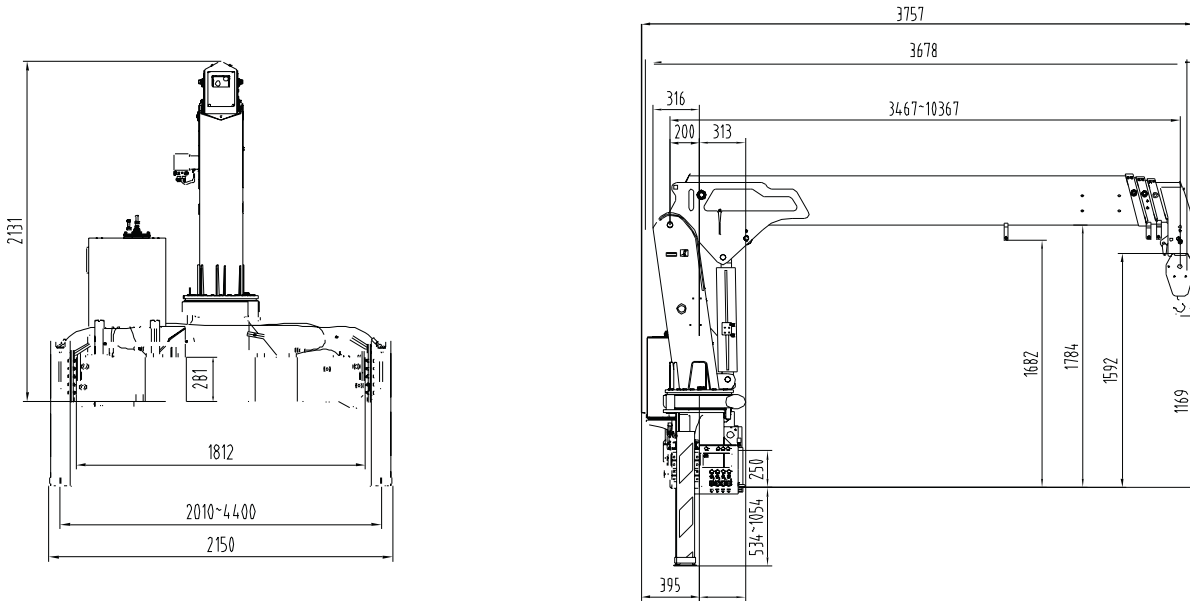


**NOTE**

The above lifting height and boom angles are based on a straight (unladen) boom. Allowance should be made for boom deflection under laden conditions. Lifting capacities must not exceed 85% of tipping load.

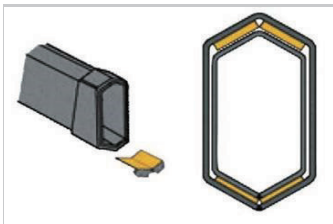
# CRANE DIMENSION

SPS 8000B-F/L



\*The actual product dimensions can vary depending on the operational equipment.

# FEATURES & OPTIONS



**Hexagonal Boom Profile**

- Low weight and perfect guiding due to gliding blocks



**High Tensile Steel**

- High Tensile Steel: HG785, SC960
- Able to withstand higher forces



**Overload Protection System**

- Built-in safety function
- Protects the crane against overloading



**Working Light**

- Safer operations in dusty and dark working conditions
- Optimal visibility for work



**High Pressure Filter**

- Ensures proper functionality and longer lifetime of crane



**Proportional Hydraulic System**

- Sensitive and stable controls for precise operation
- Operator is able to utilize multiple functions simultaneously



**Load Indicator**

- Provides operators with important information on possible overloading and lifting conditions

PALFINGER ASIA PACIFIC PTE LTD  
3 International Business Park  
Nordic European Center | #05-25/26  
609927 | Singapore  
T: +65 6591 9191  
asia@palfinger.com

Cranes shown in the leaflet are partially optional equipped and do not always correspond to the standard version. Country-specific regulations must be observed. Dimensions may vary. Subject to technical changes, errors and translation mistakes.